



ALPER MODEL

MAIN CHARACTERISTICS

Atmospheric valves for single and double regulation.

Allows the outlet or air inlet leak-proof containers, are fitted with double spring because have to calibrate the vacuum (negative pressure) and positive pressure. Designed especially for very small pressure ranges.

Outlet pressure is protected by a Stainless steel mesh to prevent ingress of impurities.

All atmospheric valves are tested with air at ambient temperature and are supplied to the set pressure requested by the costumer.

The valves are provided with a hole 1/4" female to promote drainge and condensates.

Fluids

Liquids, compressed air, neutral gases, steam,...

Discharge Progressive and conducted to 90°

Max. temperature 280°C (Inox)

Max. Pressure +0,080 to +8 bar

Minumim pressure -0,050 bar to -0,650 bar

Inlet connection Threaded BSP male
Flanged DIN

Outlet connection Threaded BSP female
Flanges, consult

Body material Bronze RG5
Stainless steel Aisi-316L

Valve base Bronze RG5
Stainless steel Aisi-316L

Obturator PTFE / Bronze RG5
Stainless steel Aisi-316L



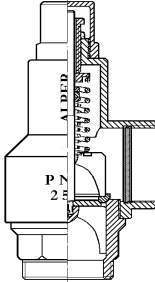
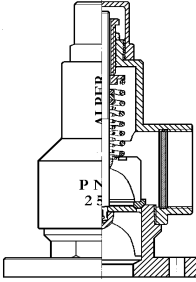
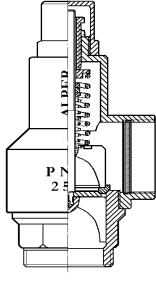
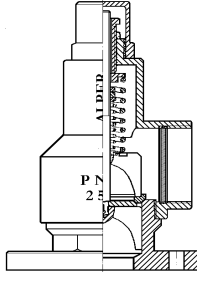
Another possibilities:

- Spring: Stainless steel Aisi-302/316
- Connection: Inlet flange as ANSI standard
- Connection: Threaded NPT

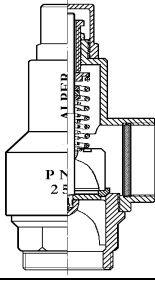
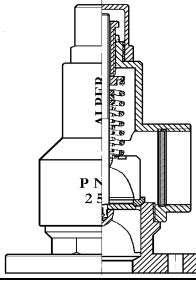
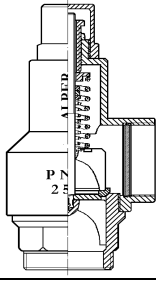
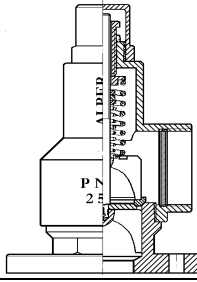


Available figures

Single regulation VACUUM

Figure	334	335	350	351
				
Body	St.steel CF-8M (1)	St.steel CF-8M (1)	Bronze	Bronze
Valve base	St.steel Aisi-316L	St.steel Aisi-316L	Bronze	Bronze
Obturator	St.steel Aisi-316L	St.steel Aisi-316L	Bronze	Bronze
Inlet connection	Threaded BSP 1/2"-4"	Flanges DIN DN15-DN100	Threaded BSP 1/2"-4"	Flanges DIN DN15-DN32
Outlet connection	Threaded BSP 3/4"-4"	Threaded BSP 3/4"-4"	Threaded BSP 3/4"-4"	Threaded BSP 3/4"-4"
Finishing	Natural/ Polished	Natural/ Polished	Nickel	Nickel
CE Certificate	-	-	-	-

Double regulation PRESSURE / VACUUM

Figure	336	337	352	353
				
Body	St.steel CF-8M (1)	St.steel CF-8M (1)	Bronze	Bronze
Valve base	St.steel Aisi-316L	St.steel Aisi-316L	Bronze	Bronze
Obturator	St.steel Aisi-316L	St.steel Aisi-316L	Bronze	Bronze
Inlet connection	Threaded BSP 1/2"-4"	Flanges DIN DN15-DN100	Threaded BSP 1/2"-4"	Flanges DIN DN15-DN32
Outlet connection	Threaded BSP 3/4"-4"	Threaded BSP 3/4"-4"	Threaded BSP 3/4"-4"	Threaded BSP 3/4"-4"
Finishing	Natural/ Polished	Natural/ Polished	Nickel	Nickel
CE Certificate	-	-	-	-

(1) Body material in Bronze sizes up 1" 1/4



Available sizes

Figure		334	335	350	351	336	337	352	353
Sizes		Single regulation VACUUM				Double regulation PRESSURE / VACUUM			
1/2"	3/4"	•	•	•	•	•	•	•	•
3/4"	3/4"	•	•			•	•		
1"	1"1/4"	•	•	•	•	•	•	•	•
1"1/4"	1"1/4"	•	•			•	•		
1"1/4"	1"1/2"			•	•			•	•
1"1/2"	2"	• (1)	• (1)	•	•	• (1)	• (1)	•	•
2"	2"	• (1)	• (1)			• (1)	• (1)		
2"	2"½"			•	•			•	•
2"1/2"	3"	• (1)	• (1)	•	•	• (1)	• (1)	•	•
3"	4"	• (1)	• (1)	•	•	• (1)	• (1)	•	•
4"	4"	• (1)	• (1)	•	•	• (1)	• (1)	•	•

(1) Body material in Bronze