

## LIQUID EJECTOR MODEL 250

### Special Features

They are used to rise liquids, oils, hot and cold, fluid and thick liquids. Their operation is easy and sure. The maximum height aspiration is 6 meters.

The indicated ratings are maximum, corresponding to an aspiration and pump height of 1 meter with a dry steam pressure of 4 kg/cm<sup>2</sup> or water at 3 kg/cm<sup>2</sup>. For any enquiry or order, please specify :

- 1.- Flow rate.
- 2.- Type and temperature of the liquid to be elevated.
- 3.- Height of aspiration and elevation.
- 4.- Motive pressure.

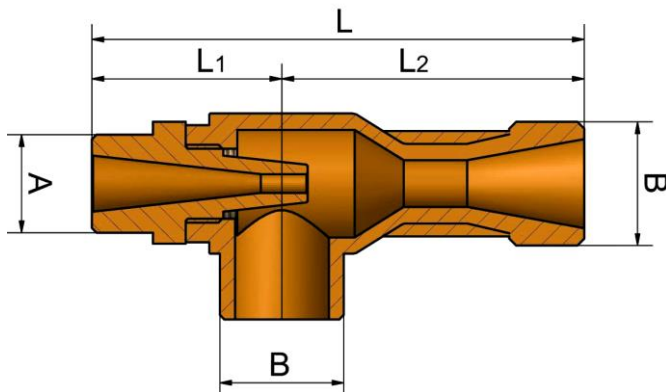
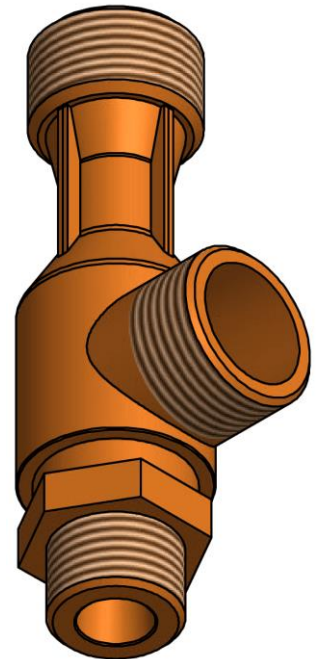
Without any mobile parts which favours to decrease noise and vibrations. Body PN16, Maximum pressure 16 bar g to 200°C.

### Materials

Construction all bronze, bronze and Stainless Steel or all Stainless steel AISI-316.

### Connections

Standard connection are threaded BSP.



### Sizes

Figure n°	1	2	3	4	5	
Rend.	1500	2500	4000	5000	10000	l/h
A	3/8"	1/2"	3/4"	1"	1 1/4"	RG
B	1/2"	3/4"	1"	1 1/4"	1 1/2"	RG
L	83	109	142	172	236	mm.
L <sub>1</sub>	33	44	45	52	61	mm.

### Installation

